

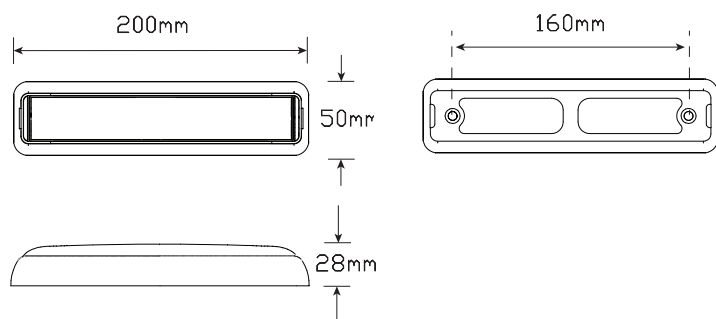
201 Series Combination

**ADR
Approved**
**100%
Waterproof**
**5 Year
Warranty**

- **Horizontal LED Array**
- **Slimline Low Profile Design**
- **Shock, Dust & Waterproof**
- **5 Year Warranty**

Function	Stop/Tail/Indicator		
Size	200mm x 50mm x 28mm		
Voltage	Multivolt 12-24V		
LED Qty	16		
Cable	40cm cable		
Draw	Stop	Tail	Ind
@13.8V	0.13A	0.02A	0.13A
@28V	0.40A	0.03A	0.40A

Approvals	Function	Category	CRN
ADR	Stop/Tail	49/00	46885
ADR	Indicator	06/00	46884
CTA	Stop/Tail/Ind	49/00, 06/00	CTA-046885



Part Number

- 201BSTIM** - Blister Single Pack, Black Bkt
- 201CSTI2** - Blister Twin Pack, Chrome Bkt
- 201CSTIM** - Blister Single Pack, Black Bkt

Fitting Instructions

Horizontally mount bracket onto flat surface with screws provided, run wires through back and clip lens into place. Please refer to ADR 13/00.



All enquiries P: (03) 9466 7075 E: led@ledtech.com.au, www.ledautolamps.com

All efforts are made to ensure all information is correct and up to date, it can be subject to change without notice. All measurements are in millimeters (mm) and are not to scale.

© All LED Technologies designs are registered throughout the world. - Current as of 30/11/2021

200 Series Combination

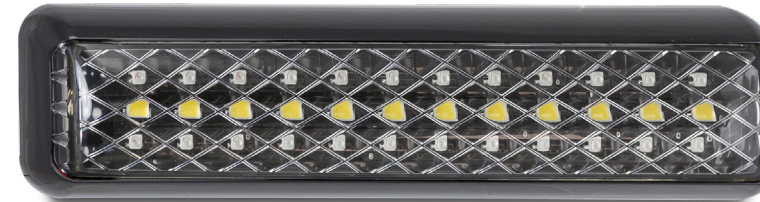
**ECE
Approved**
**100%
Waterproof**
**5 Year
Warranty**

- **Horizontal LED Array**
- **Slimline Low Profile Design**
- **Shock, Dust & Waterproof**
- **5 Year Warranty**

Function Stop/Tail/Indicator
Size 200mm x 50mm x 28mm
Voltage 12/24V
LED Qty 36
Cable 40cm cable

Draw	Stop	Tail	Ind	Rev
@13.8V	0.29A	0.09A	0.19A	0.08A
@28V	0.16A	0.07A	0.07A	0.02A

Approvals	Function	Approval No.
ECE	Stop/Tail	R1-S1-E9-02.11524
ECE	Indicator	2a-E9-01.11524
ECE	Reverse	AR-E9-00.11524
CTA	Stop/Tail/Ind/Rev	CTA-060232

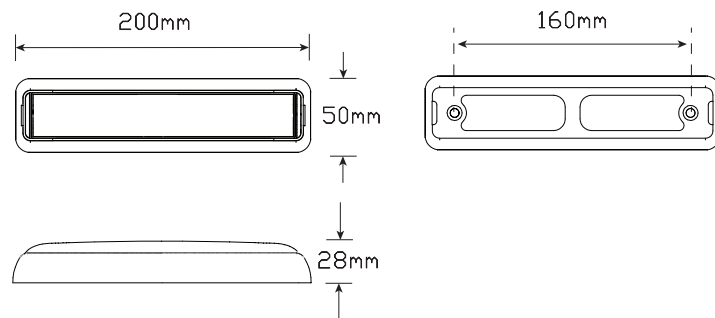


Inactive



Part Number

200BIRSTME2 - Blister Single Pack, Black Bkt



Fitting Instructions

Horizontally mount bracket onto flat surface with screws provided, run wires through back and clip lens into place. Please refer to ADR 13/00.



All enquiries P: (03) 9466 7075 E: led@ledtech.com.au, www.ledautolamps.com

All efforts are made to ensure all information is correct and up to date, it can be subject to change without notice. All measurements are in millimeters (mm) and are not to scale.

© All LED Technologies designs are registered throughout the world. - Current as of 30/11/2021